

OPTA SERİSİ

ESL (Electronic Shelf Labels)
KATALOĐU

#MobisisTeknoloji

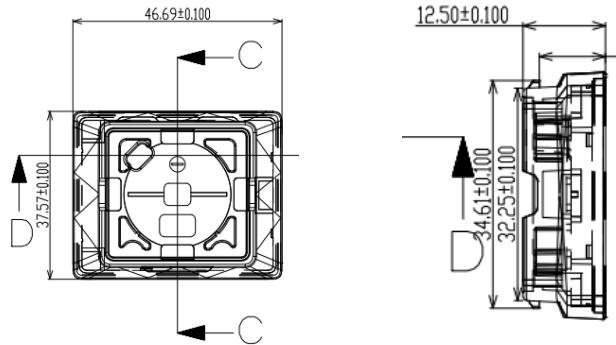


ESL-PT154-3R

OPTA SERİSİ 1.54" 3 RENK ESL



Product model



SPECIFICATIONS

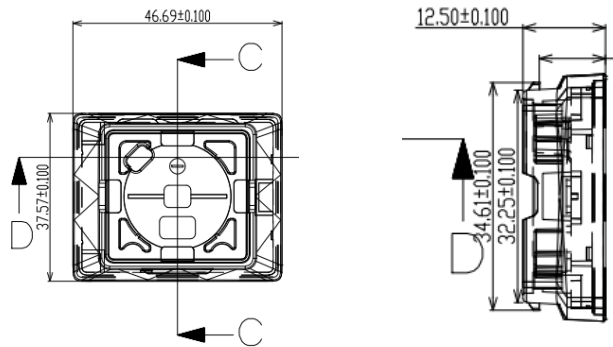
| Spec | Unit | Details |
|-------------------|-------|------------------------|
| Dimensions | mm | 46.69*37.57*12.5 |
| Screen Size | mm | 27*27 |
| Definition Rate | pixel | 200x200 |
| Pixel Density | DPI | 188 |
| Display Colors | - | Black/White/Red |
| Battery | - | CR2450 x1pc/600mAh |
| Battery Lifetime | year | 6 Years (2 Times/Day) |
| Working Temp | °C | 0~40°C |
| NFC | - | Standard |
| Working Frequency | - | 2405~2480Hz |

ESL-PT154-4R

OPTA SERİSİ 1.54" 4 RENK ESL



Product model



SPECIFICATIONS

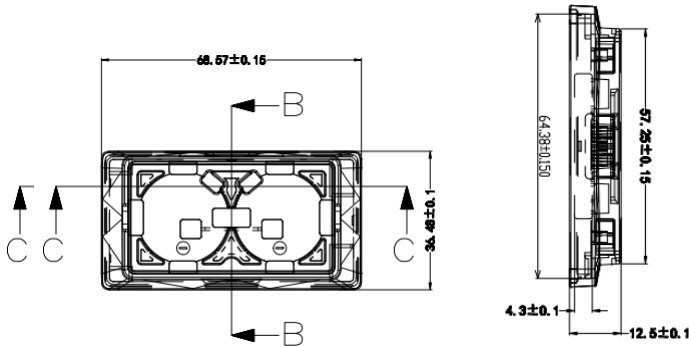
| Spec | Unit | Details |
|-------------------|-------|------------------------|
| Dimensions | mm | 46.69*37.57*12.5 |
| Screen Size | mm | 27*27 |
| Definition Rate | pixel | 200x200 |
| Pixel Density | DPI | 188 |
| Display Colors | - | Black/White/Red/Yellow |
| Battery | - | CR2450 x1pc/600mAh |
| Battery Lifetime | year | 6 Years (2 Times/Day) |
| Working Temp | °C | 0~40°C |
| NFC | - | Standard |
| Working Frequency | - | 2405~2480Hz |

ESL-PT213-3R

OPTA SERİSİ 2.13" 3 RENK ESL



Product model



SPECIFICATIONS

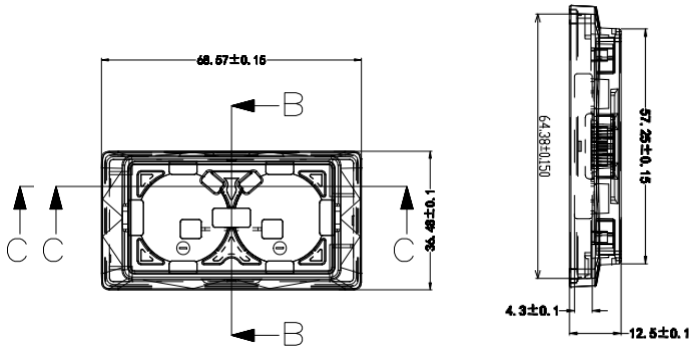
| Spec | Unit | Details |
|-------------------|-------|---------------------------|
| Dimensions | mm | 68.57*36.48*12.5 |
| Screen Size | mm | 48.5*23.7 |
| Definition Rate | pixel | 250*122 |
| Pixel Density | DPI | 130 |
| Display Colors | - | Black/White/Red, |
| Battery | - | CR2450 x2pc/1200mAh |
| Battery Lifetime | year | 10 years (4 Times/Day) |
| Working Temp | °C | 0~40°C |
| NFC | - | Standard |
| Working Frequency | - | 2405~2480Hz |

ESL-PT213-4R

OPTA SERİSİ 2.13" 4 RENK ESL



Product model



SPECIFICATIONS

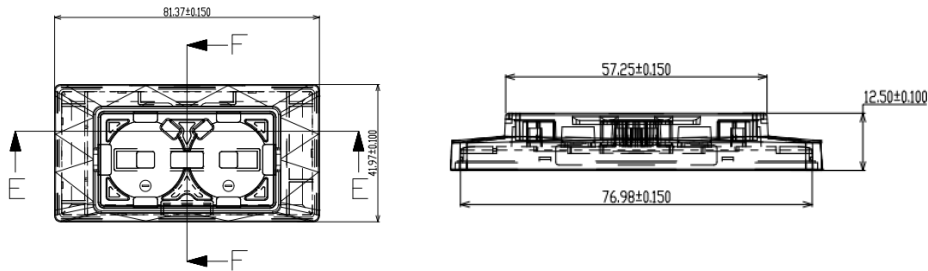
| Spec | Unit | Details |
|-------------------|-------|---------------------------|
| Dimensions | mm | 68.57*36.48*12.5 |
| Screen Size | mm | 48.5*23.7 |
| Definition Rate | pixel | 250*122 |
| Pixel Density | DPI | 130 |
| Display Colors | - | Black/White/Red/Yellow |
| Battery | - | CR2450 x2pc/1200mAh |
| Battery Lifetime | year | 10 years (4 Times/Day) |
| Working Temp | °C | 0~40°C |
| NFC | - | Standard |
| Working Frequency | - | 2405~2480Hz |

ESL-PT266-3R

OPTA SERİSİ 2.66" 3 RENK ESL



Product model



SPECIFICATIONS

| Spec | Unit | Details |
|-------------------|-------|---------------------------|
| Dimensions | mm | 81.37*41.97*12.5 |
| Screen Size | mm | 60*30.7 |
| Definition Rate | pixel | 296*152 |
| Pixel Density | DPI | 125 |
| Display Colors | - | Black/White/Red |
| Battery | - | CR2450 x2pc/1200mAh |
| Battery Lifetime | year | 10 years (4 Times/Day) |
| Working Temp | °C | 0~40°C |
| NFC | - | Standard |
| Working Frequency | - | 2405~2480Hz |

ESL-PT266-4R

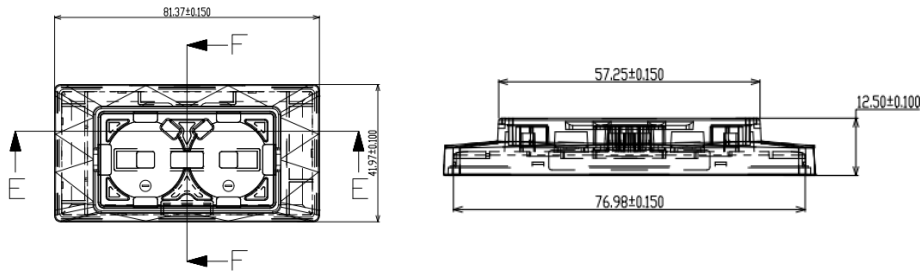
OPTA SERİSİ 2.66"4 RENK ESL



SPECIFICATIONS

| Spec | Unit | Details |
|-------------------|-------|---------------------------|
| Dimensions | mm | 81.37*41.97*12.5 |
| Screen Size | mm | 60*30.7 |
| Definition Rate | pixel | 296*152 |
| Pixel Density | DPI | 125 |
| Display Colors | - | Black/White/Red/Yellow |
| Battery | - | CR2450 x2pc/1200mAh |
| Battery Lifetime | year | 10 years (4 Times/Day) |
| Working Temp | °C | 0~40°C |
| NFC | - | Standard |
| Working Frequency | - | 2405~2480Hz |

Product model

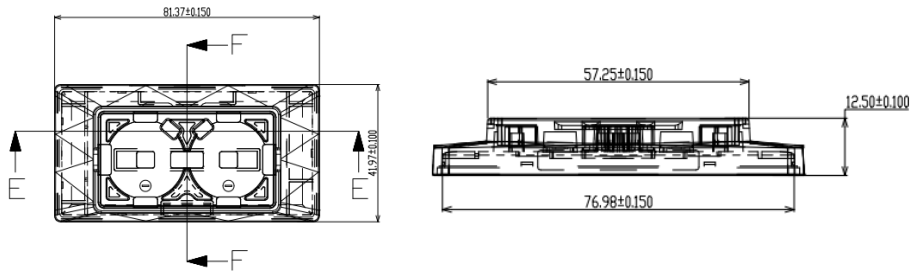


ESL-PT266-FR

OPTA SERİSİ 2.66" ESL (Freezing)



Product model



SPECIFICATIONS

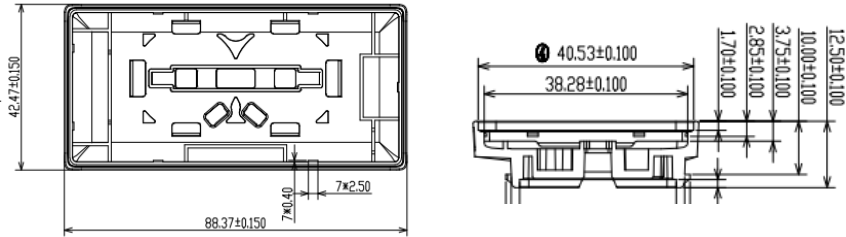
| Spec | Unit | Details |
|-------------------|-------|----------------------------|
| Dimensions | mm | 81.37*41.97*12.5 |
| Screen Size | mm | 60*30.7 |
| Definition Rate | pixel | 296*152 |
| Pixel Density | DPI | 125 |
| Display Colors | - | Black/White |
| Battery | - | CR2450 x2pc/1200mAh |
| Battery Lifetime | year | 10 years (4 Times/Day) |
| Working Temp | °C | -25~10°C |
| NFC | - | Standard |
| Working Frequency | - | 2405~2480Hz |

ESL-PT290-3R

OPTA SERİSİ 2.90" 3 RENK ESL



Product model



SPECIFICATIONS

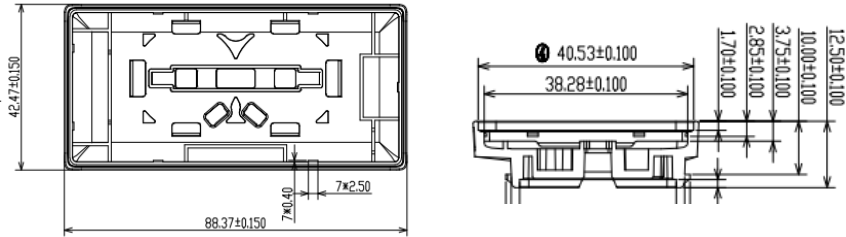
| Spec | Unit | Details |
|-------------------|-------|----------------------------|
| Dimensions | mm | 88.37*42.47*12.5 |
| Screen Size | mm | 66.9*29 |
| Definition Rate | pixel | 296*128 |
| Pixel Density | DPI | 112 |
| Display Colors | - | Black/White/Red |
| Battery | - | CR2450 x2pc/1200mAh |
| Battery Lifetime | year | 10 years (4 Times/Day) |
| Working Temp | °C | 0~40°C |
| NFC | - | Standard |
| Working Frequency | - | 2405~2480Hz |

ESL-PT290-4R

OPTA SERİSİ 2.90" 4 RENK ESL



Product model



SPECIFICATIONS

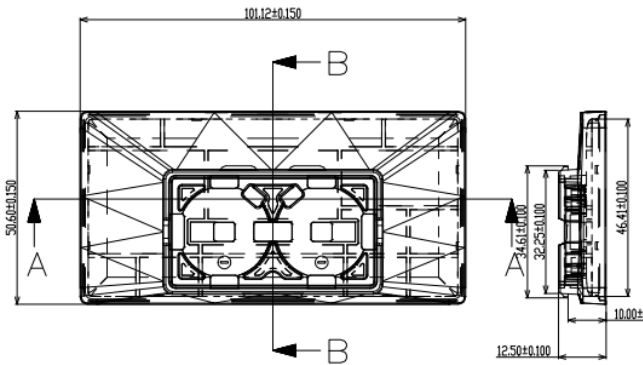
| Spec | Unit | Details |
|-------------------|-------|----------------------------|
| Dimensions | mm | 88.37*42.47*12.5 |
| Screen Size | mm | 66.9*29 |
| Definition Rate | pixel | 296*128 |
| Pixel Density | DPI | 112 |
| Display Colors | - | Black/White/Red/Yellow |
| Battery | - | CR2450 x2pc/1200mAh |
| Battery Lifetime | year | 10 years (4 Times/Day) |
| Working Temp | °C | 0~40°C |
| NFC | - | Standard |
| Working Frequency | - | 2405~2480Hz |

ESL-PT350-3R

OPTA SERİSİ 3.5" 3 RENK ESL



Product model



SPECIFICATIONS

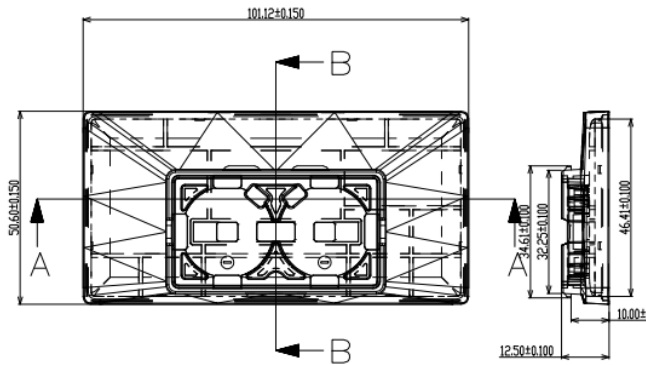
| Spec | Unit | Details |
|-------------------|-------|----------------------------|
| Dimensions | mm | 101.12x50.6x12.5 |
| Screen Size | mm | 79.68x38.18 |
| Definition Rate | pixel | 384x184 |
| Pixel Density | DPI | 122 |
| Display Colors | - | Black/White/Red |
| Battery | - | CR2450 x2pc/1200mAh |
| Battery Lifetime | year | 10 years (4 Times/Day) |
| Working Temp | °C | 0~40°C |
| NFC | - | Standard |
| Working Frequency | - | 2405~2480Hz |

ESL-PT350-4R

OPTA SERİSİ 3.5" 4 RENK ESL



Product model



SPECIFICATIONS

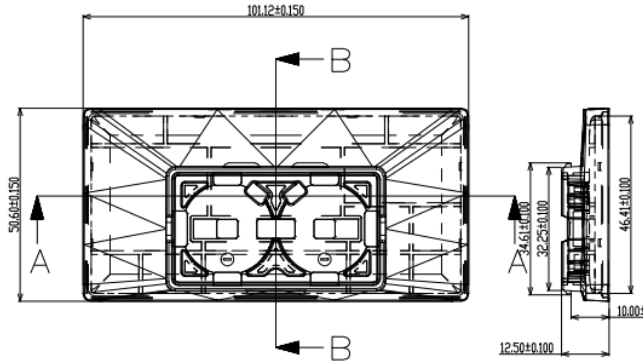
| Spec | Unit | Details |
|-------------------|-------|----------------------------|
| Dimensions | mm | 101.12x50.6x12.5 |
| Screen Size | mm | 79.68x38.18 |
| Definition Rate | pixel | 384x184 |
| Pixel Density | DPI | 122 |
| Display Colors | - | Black/White/Red/Yellow |
| Battery | - | CR2450 x2pc/1200mAh |
| Battery Lifetime | year | 10 years (4 Times/Day) |
| Working Temp | °C | 0~40°C |
| NFC | - | Standard |
| Working Frequency | - | 2405~2480Hz |

ESL-PT350-FR

OPTA SERİSİ 3.5" ESL (Freezing)



Product model



SPECIFICATIONS

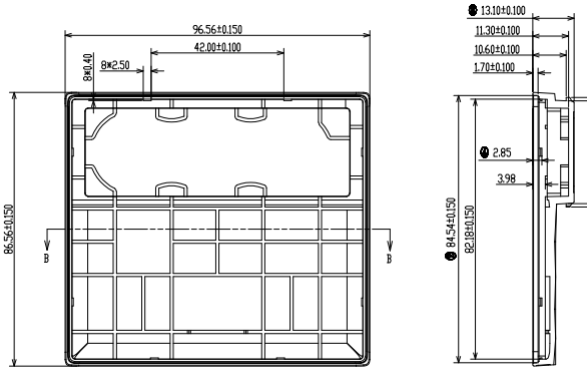
| Spec | Unit | Details |
|-------------------|-------|----------------------------|
| Dimensions | mm | 101.12x50.6x12.5 |
| Screen Size | mm | 79.68x38.18 |
| Definition Rate | pixel | 384x184 |
| Pixel Density | DPI | 122 |
| Display Colors | - | Black/White |
| Battery | - | CR2450 x2pc/1200mAh |
| Battery Lifetime | year | 10 years (4 Times/Day) |
| Working Temp | °C | -25~10°C |
| NFC | - | Standard |
| Working Frequency | - | 2405~2480Hz |

ESL-PT420-3R

OPTA SERİSİ 4.2" 3 RENK ESL



Product model



SPECIFICATIONS

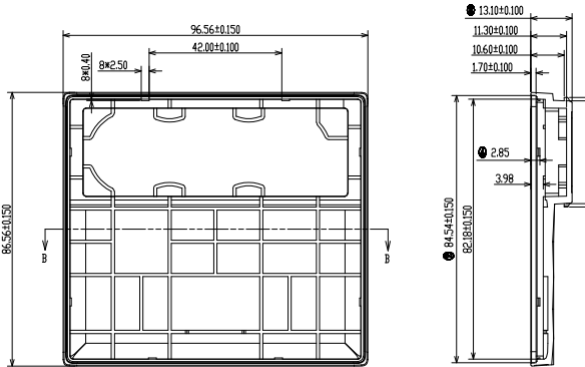
| Spec | Unit | Details |
|-------------------|-------|----------------------------|
| Dimensions | mm | 96.56*86.56*13.1 |
| Screen Size | mm | 84.8*63.6 |
| Definition Rate | pixel | 400*300 |
| Pixel Density | DPI | 120 |
| Display Colors | - | Black/White/Red |
| Battery | - | CR2450 x2pc/1200mAh |
| Battery Lifetime | year | 10 years (4 Times/Day) |
| Working Temp | °C | 0~40°C |
| NFC | - | Standard |
| Working Frequency | - | 2405~2480Hz |

ESL-PT420-4R

OPTA SERİSİ 4.2" 4 RENK ESL



Product model



SPECIFICATIONS

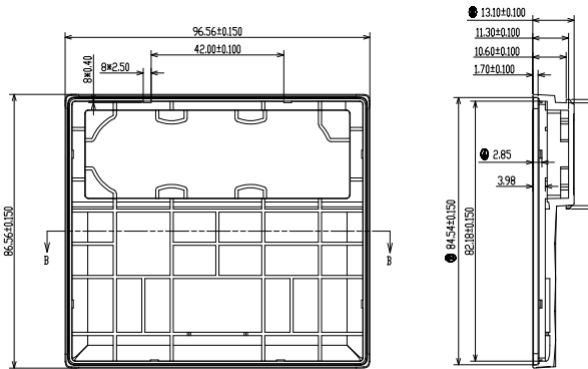
| Spec | Unit | Details |
|-------------------|-------|----------------------------|
| Dimensions | mm | 96.56*86.56*13.1 |
| Screen Size | mm | 84.8*63.6 |
| Definition Rate | pixel | 400*300 |
| Pixel Density | DPI | 120 |
| Display Colors | - | Black/White/Red/Yellow |
| Battery | - | CR2450 x2pc/1200mAh |
| Battery Lifetime | year | 10 years (4 Times/Day) |
| Working Temp | °C | 0~40°C |
| NFC | - | Standard |
| Working Frequency | - | 2405~2480Hz |

ESL-PT420-WP

OPTA SERİSİ 4.2" (Waterproof)



Product model



SPECIFICATIONS

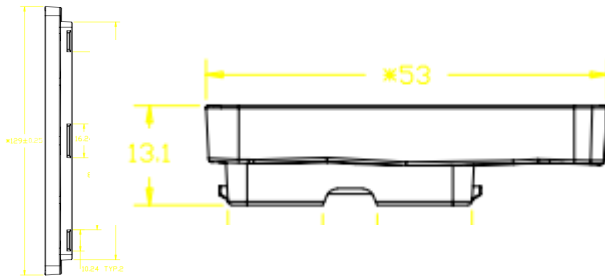
| Spec | Unit | Details |
|-------------------|-------|----------------------------|
| Dimensions | mm | 96.56*86.56*13.1 |
| Screen Size | mm | 84.8*63.6 |
| Definition Rate | pixel | 400*300 |
| Pixel Density | DPI | 120 |
| Display Colors | - | Black/White/Red |
| Battery | - | CR2450 x3pc/1800mAh |
| Battery Lifetime | year | 10 years (4 Times/Day) |
| Working Temp | °C | 0~40°C |
| NFC | - | Standard |
| Working Frequency | - | 2405~2480Hz |

ESL-PT437-3R

OPTA SERİSİ 4.37" 3 RENK ESL



Product model



SPECIFICATIONS

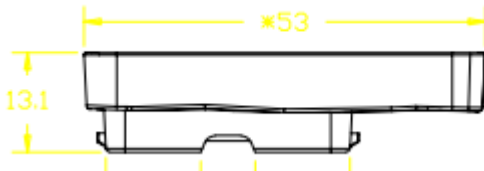
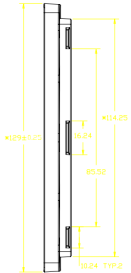
| Spec | Unit | Details |
|-------------------|-------|----------------------------|
| Dimensions | mm | 129x53x13.1 |
| Screen Size | mm | 104.16x38.19 |
| Definition Rate | pixel | 480x176 |
| Pixel Density | DPI | 117 |
| Display Colors | - | Black/White/Red |
| Battery | - | CR2450 x2pc/1200mAh |
| Battery Lifetime | year | 10 years (4 Times/Day) |
| Working Temp | °C | 0~40°C |
| NFC | - | Standard |
| Working Frequency | - | 2405~2480Hz |

ESL-PT437-4R

OPTA SERİSİ 4.37" 4 RENK ESL



Product model



SPECIFICATIONS

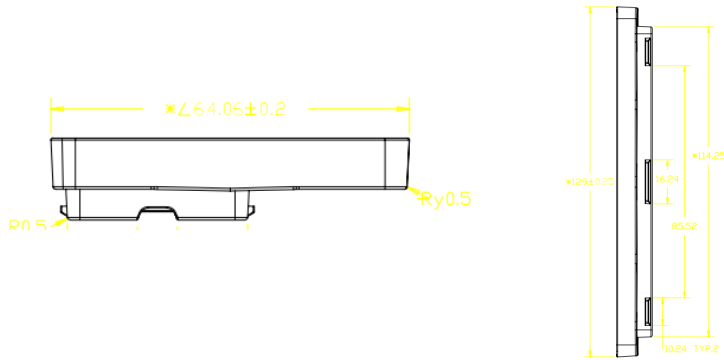
| Spec | Unit | Details |
|-------------------|-------|----------------------------|
| Dimensions | mm | 129x53x13.1 |
| Screen Size | mm | 104.16x38.19 |
| Definition Rate | pixel | 480x176 |
| Pixel Density | DPI | 117 |
| Display Colors | - | Black/White/Red/Yellow |
| Battery | - | CR2450 x2pc/1200mAh |
| Battery Lifetime | year | 10 years (4 Times/Day) |
| Working Temp | °C | 0~40°C |
| NFC | - | Standard |
| Working Frequency | - | 2405~2480Hz |

ESL-PT579-3R

OPTA SERİSİ 5.79" 3 RENK ESL



Product model



SPECIFICATIONS

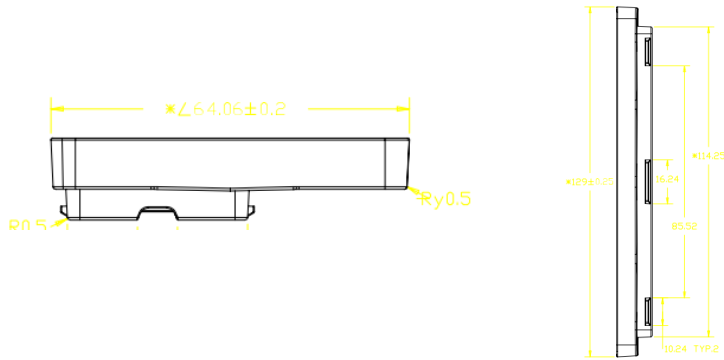
| Spec | Unit | Details |
|-------------------|-------|----------------------------|
| Dimensions | mm | 165.06x64.06x14.65 |
| Screen Size | mm | 139x47.74 |
| Definition Rate | pixel | 792x272 |
| Pixel Density | DPI | 144 |
| Display Colors | - | Black/White/Red |
| Battery | - | CR2450 x2pc/1200mAh |
| Battery Lifetime | year | 10 years (4 Times/Day) |
| Working Temp | °C | 0~40°C |
| NFC | - | Standard |
| Working Frequency | - | 2405~2480Hz |

ESL-PT579-4R

OPTA SERİSİ 5.79" 4 RENK ESL



Product model



SPECIFICATIONS

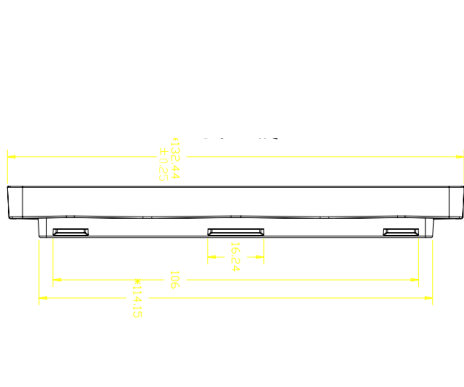
| Spec | Unit | Details |
|-------------------|-------|----------------------------|
| Dimensions | mm | 165.06x64.06x14.65 |
| Screen Size | mm | 139x47.74 |
| Definition Rate | pixel | 792x272 |
| Pixel Density | DPI | 144 |
| Display Colors | - | Black/White/Red/Yellow |
| Battery | - | CR2450 x2pc/1200mAh |
| Battery Lifetime | year | 10 years (4 Times/Day) |
| Working Temp | °C | 0~40°C |
| NFC | - | Standard |
| Working Frequency | - | 2405~2480Hz |

ESL-PT583-3R

OPTA SERİSİ 5.83" 3 RENK ESL



Product model



SPECIFICATIONS

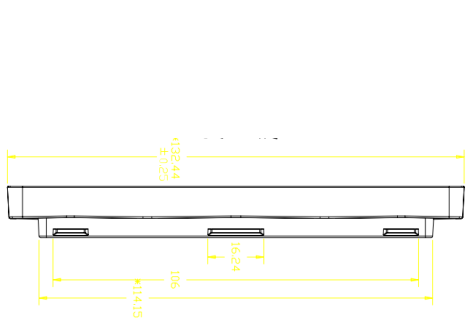
| Spec | Unit | Details |
|-------------------|-------|----------------------------|
| Dimensions | mm | 132.44x111.26x14.8 |
| Screen Size | mm | 118.78x88.22 |
| Definition Rate | pixel | 648x480 |
| Pixel Density | DPI | 138 |
| Display Colors | - | Black/White/Red |
| Battery | - | CR2450 x4pc/2400mAh |
| Battery Lifetime | year | 10 years (4 Times/Day) |
| Working Temp | °C | 0~40°C |
| NFC | - | Standard |
| Working Frequency | - | 2405~2480Hz |

ESL-PT583-4R

OPTA SERİSİ 5.83" 4 RENK ESL



Product model



SPECIFICATIONS

| Spec | Unit | Details |
|-------------------|-------|----------------------------|
| Dimensions | mm | 132.44x111.26x14.8 |
| Screen Size | mm | 118.78x88.22 |
| Definition Rate | pixel | 648x480 |
| Pixel Density | DPI | 138 |
| Display Colors | - | Black/White/Red/Yellow |
| Battery | - | CR2450 x4pc/2400mAh |
| Battery Lifetime | year | 10 years (4 Times/Day) |
| Working Temp | °C | 0~40°C |
| NFC | - | Standard |
| Working Frequency | - | 2405~2480Hz |

ESL-PT750-3R

OPTA SERİSİ 7.5" 3 RENK ESL

SAMSUNG Çamaşır Makinesi
A Enerji Sınıfı 11kg 1400 Devir SİYAH

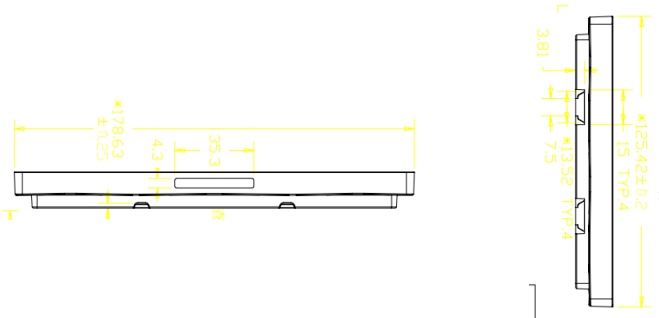
₺ 27.999

WW11BBA046ABA

₺4.666,50 x 6 aya varan taksitle

- Kıyıklik önleyici sistem : Evet
- Ayarlanabilir başlangıç zamanı : Evet
- Yıkama kapasitesi : 11 kg
- Su tırama emniyet sistemi : Evet
- Boyutlar (G/Y/D) : 600 mm x 850 mm x 600 mm
- Renk (Üreticiye Göre) : Siyah
- Programlar : Eco-40-60, Hızlı Yıkama
- Kıyıklik Önleyici, Çocuk Kilidi, Sessiz
- Yükleme kapasitesi : Önden yüklemeli
- Kutu İçeriği : Çamaşır Makinesi

Product model



SPECIFICATIONS

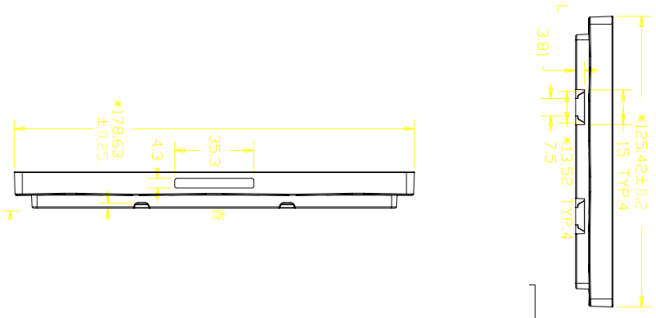
| Spec | Unit | Details |
|-------------------|-------|----------------------------|
| Dimensions | mm | 178.63*125.42*16 |
| Screen Size | mm | 163.2*97.9 |
| Definition Rate | pixel | 800*480 |
| Pixel Density | DPI | 124 |
| Display Colors | - | Black/White/Red |
| Battery | - | CR2450 x6pc/3600mAh |
| Battery Lifetime | year | 10 years (4 Times/Day) |
| Working Temp | °C | 0~40°C |
| NFC | - | Standard |
| Working Frequency | - | 2405~2480Hz |

ESL-PT750-4R

OPTA SERİSİ 7.5" 4 RENK ESL



Product model



SPECIFICATIONS

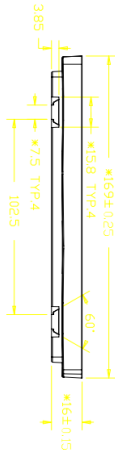
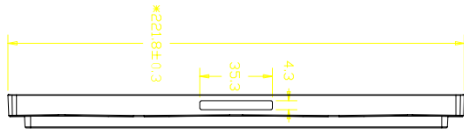
| Spec | Unit | Details |
|-------------------|-------|----------------------------|
| Dimensions | mm | 178.63*125.42*16 |
| Screen Size | mm | 163.2*97.9 |
| Definition Rate | pixel | 800*480 |
| Pixel Density | DPI | 124 |
| Display Colors | - | Black/White/Red/Yellow |
| Battery | - | CR2450 x6pc/3600mAh |
| Battery Lifetime | year | 10 years (4 Times/Day) |
| Working Temp | °C | 0~40°C |
| NFC | - | Standard |
| Working Frequency | - | 2405~2480Hz |

ESL-PT970-3R

OPTA SERİSİ 9.7" 3 RENK ESL



Product model



SPECIFICATIONS

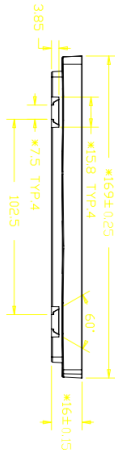
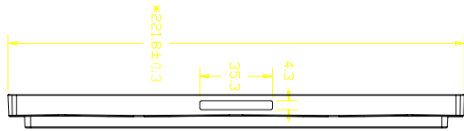
| Spec | Unit | Details |
|-------------------|-------|----------------------------|
| Dimensions | mm | 221.8*169*16 |
| Screen Size | mm | 201.6*141.12 |
| Definition Rate | pixel | 960*672 |
| Pixel Density | DPI | 121 |
| Display Colors | - | Black/White/Red |
| Battery | - | CR2450 x6pc/3600mAh |
| Battery Lifetime | year | 10 years (4 Times/Day) |
| Working Temp | °C | 0~40°C |
| NFC | - | Standard |
| Working Frequency | - | 2405~2480Hz |

ESL-PT970-4R

OPTA SERİSİ 9.7" 4 RENK ESL



Product model



SPECIFICATIONS

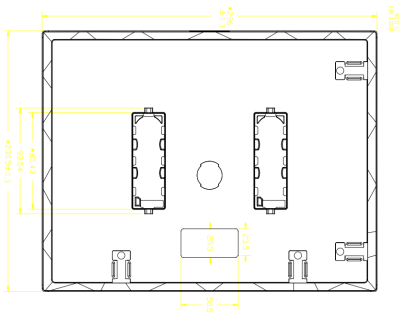
| Spec | Unit | Details |
|-------------------|-------|----------------------------|
| Dimensions | mm | 221.8*169*16 |
| Screen Size | mm | 201.6*141.12 |
| Definition Rate | pixel | 960*672 |
| Pixel Density | DPI | 121 |
| Display Colors | - | Black/White/Red/Yellow |
| Battery | - | CR2450 x6pc/3600mAh |
| Battery Lifetime | year | 10 years (4 Times/Day) |
| Working Temp | °C | 0~40°C |
| NFC | - | Standard |
| Working Frequency | - | 2405~2480Hz |

ESL-PT1330-3R

OPTA SERİSİ 13.3" 3 RENK ESL



Product model



SPECIFICATIONS

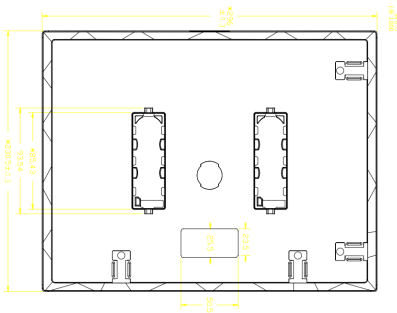
| Spec | Unit | Details |
|---------------------|-------|-------------------------|
| Ebatlar | mm | 296*230.5*16 |
| Aktif Display Alanı | mm | 275.52*195.16 |
| Çözünürlük | pixel | 960*680 |
| Pixel Derinliği | DPI | 88 |
| Display Renkleri | - | Black/White/Red, |
| Batarya | - | CR2450 x6pc/3600mAh |
| Batarya Ömrü | Yıl | 10 yıl (4 Saat/Gün) |
| Çalışma Sıcaklığı | °C | 0~40°C |
| NFC | - | Standard |
| Çalışma Frekansı | - | 2405~2480Hz |

ESL-PT1330-4R

OPTA SERİSİ 13.3" 4 RENK ESL



Product model

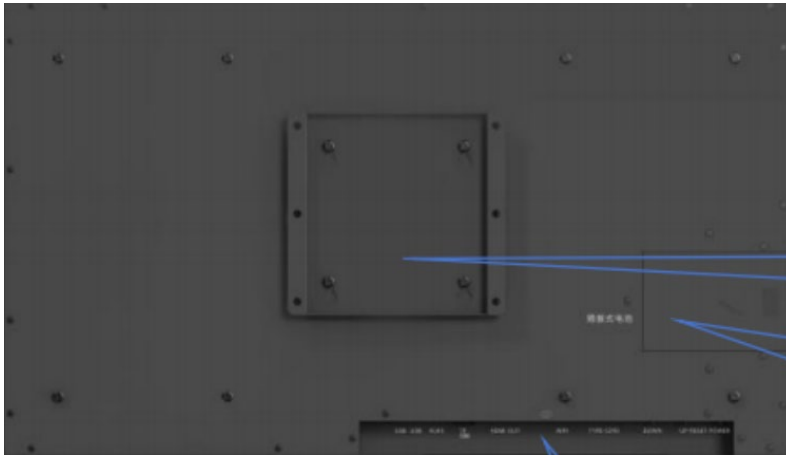


SPECIFICATIONS

| Spec | Unit | Details |
|---------------------|-------|-------------------------|
| Ebatlar | mm | 296*230.5*16 |
| Aktif Display Alanı | mm | 275.52*195.16 |
| Çözünürlük | pixel | 960*680 |
| Pixel Derinliği | DPI | 88 |
| Display Renkleri | - | Black/White/Red/Yellow |
| Batarya | - | CR2450 x6pc/3600mAh |
| Batarya Ömrü | Yıl | 10 yıl (4 Saat/Gün) |
| Çalışma Sıcaklığı | °C | 0~40°C |
| NFC | - | Standard |
| Çalışma Frekansı | - | 2405~2480Hz |

ESL-PT3150

OPTA SERİSİ 31.5" ESL



SPECIFICATIONS

| Spec | Unit | Details |
|-----------------|--------|---------------------------------------------------|
| Dimensions | mm | 723*418*30.5 |
| Screen Size | mm | 696.32*391.68 |
| Definition Rate | pixel | 2560*1440 |
| Pixel Density | DPI | 93 |
| Display Colors | - | Red, Yellow, Blue, White, Green, Black |
| Power adapter | - | Type-C PD Adapter(Optional) |
| Battery | - | Plugged-in Lithium Battery: 50.4W/H 16.8V/3500MAH |
| Battery life | months | 6 months (5 times per day) |
| Working Temp | - | 0~50°C |
| Storage Temp | - | -25~60°C |

ESL-AP2400S-5.0

BAĞLANTI NOKTASI (ACCESS POINT)



Model

AP2400S-5.0

Dimensions (mm)

190*190*35

Operation System

Linux

Internet Protocol

TCP/IP,HTTP,DHCP

Power Supply

Support POE / DC 12V 2A
Power Adapter

Working Frequency

2405~2480Hz

Channel Band width

2M

Transmit Power

0dBm~23dB (Automatic)

Antenna

4-port all-angle antenna

Radius

25m

Covered Acreage

2000²